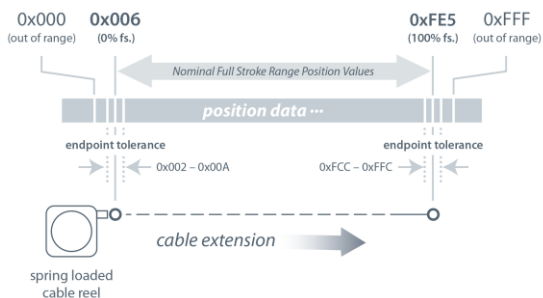


Available in both 250 and 400-inch stroke ranges, this off-the-shelf linear position sensor is the perfect solution for applications ranging from mobile construction equipment to hydraulic lift tables and anything else in between. The SKD offers compact design, ease of use and the utmost in flexibility. Every unit offers the customer a user-selectable 4-20 mA or 0-10VDC output signal option, an easily adjustable stainless steel mounting bracket for multiple installation options and the ability to change the direction of the electrical connector to accommodate the user's wiring needs.

Our unique electronic circuitry and an extremely durable spring-loaded stainless steel measuring cable deliver an accurate reliable "absolute" position feedback signal over the entire stroke. This model is economically priced making it the perfect solution for both the single piece user and OEM customers alike.

Output Signal



SKH

Cable Actuated Sensor CANOpen Output Signal

Linear Position to 400 inches (10 m)

Compact Design • Simple To Install

User Adjustable Measuring Cable Orientation

IN STOCK for Quick Delivery!

Specifications

Stroke Range Options	250 inches (6.4 m), 400 inches (10.2 m)
Accuracy	.35% FS.
Repeatability	.05% FS.
Resolution	12-bit
Input Voltage	10-36 VDC
Input Current	100 mA, max.
Measuring Cable	.031-inch dia. bare stainless steel
Maximum Cable Velocity	60 inches per second
Maximum Cable Acceleration	5 g
Measuring Cable Tension	23 oz. (6.4 N) ±40%
Sensor	plastic-hybrid precision potentiometer
Cycle Life	≥ 250,000
Electrical Connection	M12 connector, mating plug included
Enclosure	glass-filled polycarbonate
Environmental	IP67

Operating Temperature -40° to 185° F (-40° to 85° C)

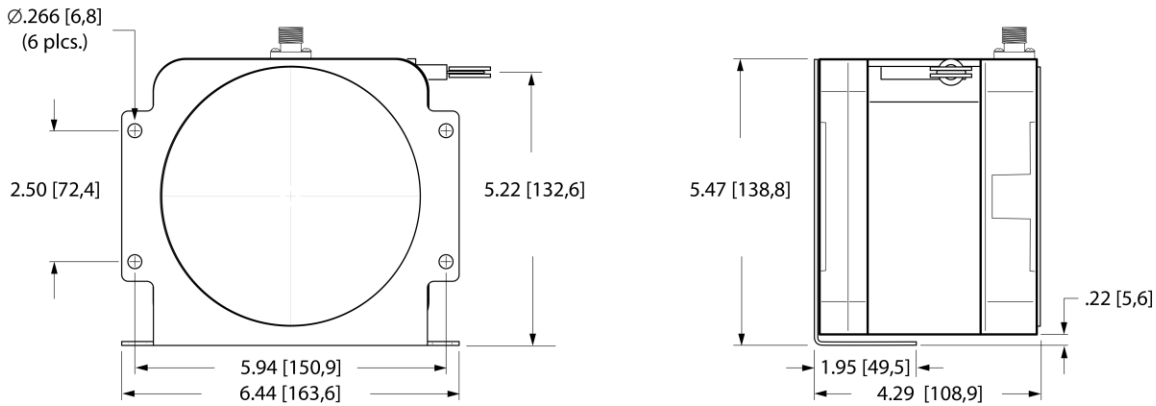
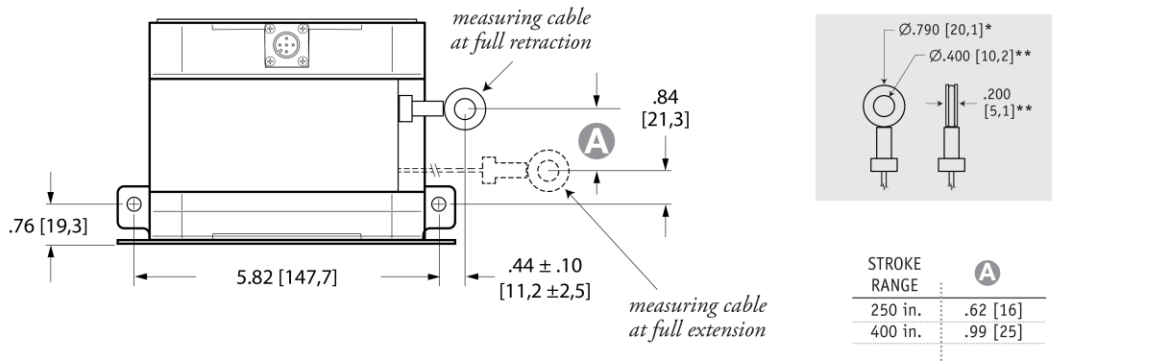
CANopen Specifications

Communication Profile	CiA 301 V 4.0.2, CANopen Slave
Device Type	CiA 406 V3.2, Encoder
Vendor ID	0x0002E0, Node ID

1-127 (Adjustable via dipswitch or LSS, default set to 1)

Baud Rate Options	125K (default), 250K, 500K, 1M
Data Rate	50ms (default)
Error Control	Heartbeat, Emergency Message
PDO	2 TxPDO, 0 RxPDO, no linking, static mapping
PDO Modes	Event / Time triggered, Synch / Asynch
SDO	1 server, 0 client
Position Data	Object Dictionary 6004
Cam Switches	Not Supported

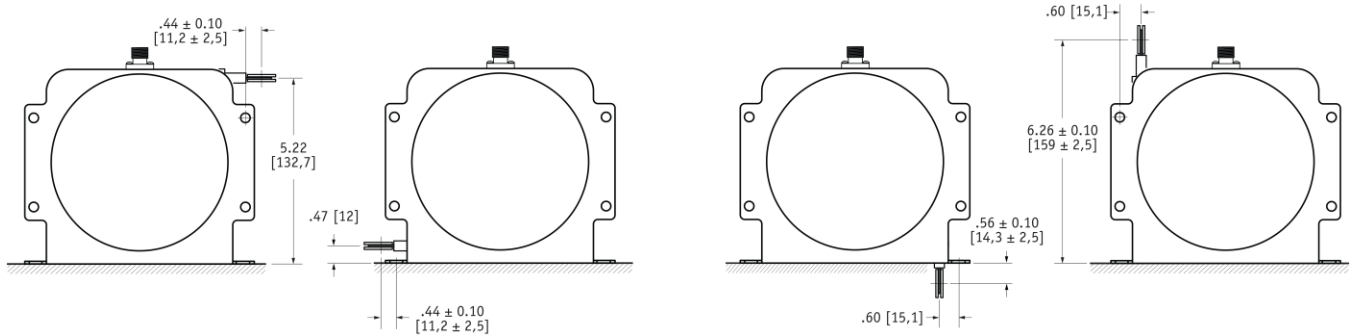
Outline Drawing



DIMENSIONS ARE IN INCHES [MM]
tolerances are 0.04 IN. [1,0 MM] unless otherwise noted.

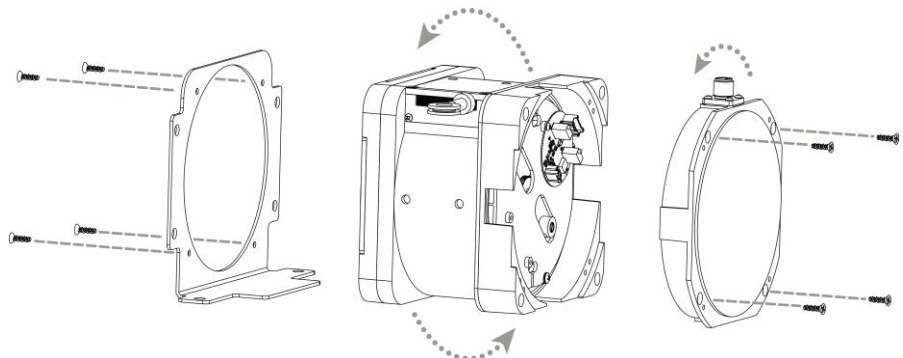
* tolerance = +.005 -0.001 [+0,1 -0,0]
** tolerance = +.005 -0.005 [+0,1 -0,1]

Mounting Options

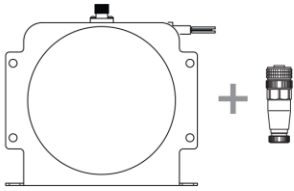


To change cable exit direction:
simply remove the 4 bracket mounting screws and rotate sensor body to desired direction.

To change electrical connector orientation: remove the 4 rear screws and carefully remove the rear cover and rotate cover.



Ordering Information



Part Number	full stroke range	accuracy	max. acceleration	measuring cable tension (± 40%)
SKH-250-4	250 in (6.4 m)	.35%	5 g	23 oz. (6,4 N)
SKH-400-4	400 in (10.2 m)	.35%	5 g	23 oz. (6,4N)

includes mounting bracket & mating connector.

Optional Cordsets



Part Number	length	wire size	connector
9036810-0030	13 ft (4 m)	22 AWG (.34mm ²)	straight 5-pin M12

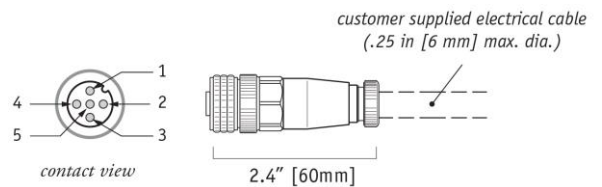


9036810-0031	13 ft (4 m)	22 AWG (.34mm ²)	90° 5-pin M12
---------------------	-------------	------------------------------	---------------

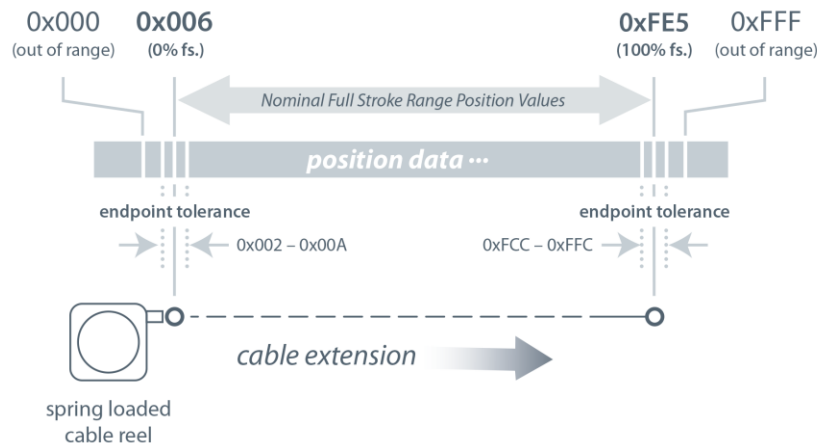
Electrical Connection

Output Signal	field installable connector		optional cordset	
	pin	pin	color	
n/c	1	1	brown	
10..36 Vdc	2	2	white	
common	3	3	blue	
CAN - High	4	4	black	
CAN - Low	5	5	green/yellow	

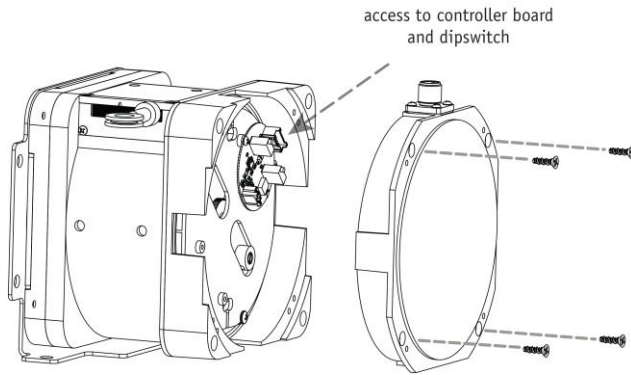
Field Installable Connector



Position Data Overview



Internal Controller Board



Status LED - Indicates Operating Condition of the Potentiometer

green	red	
on	flash	emergency message (high)
off	flash	buffer (high)
on	off	normal operating range
flash	off	buffer (low)
flash	on	emergency message (low)

LSS, Baud Rate and Node ID settings:

LSS, Baud Rate and Node ID settings are set via dip switch found on the internal controller board. To gain access to the controller board, remove the 4 cover attaching screws and carefully separate the sensor cover from the main body. Be careful not to damage the small gage wires that connect the potentiometer to the controller board mounted directly to the rear cover.

Follow the instructions below for desired settings and reinstall sensor cover.



LSS Settings:

IF DIP Switch 1 is set to “on” position, then LSS will be functional and uses the contents of EEPROM including Node ID and Baud Rate. If DIP Switch 1 is set to “off” position, then DIP switches will override information in EEPROM including the Node ID and Baud Rate.

LSS settings options	SW1
disabled	off
enabled	on

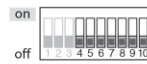
BAUD Rate:

If DIP Switch 1 is set to “off” then BAUD rate is set via DIP switch 2 and 3 as shown:



baud rate	SW2	SW3
125 kbps	off	off
250 kbps	on	off
500 kbps	off	on
1 Mbps	on	on

node ID	SW4	SW5	SW6	SW7	SW8	SW9	SW10
Dec. Hex	(2 ⁰)	(2 ¹)	(2 ²)	(2 ³)	(2 ⁴)	(2 ⁵)	(2 ⁶)
1 0x01	on	off	off	off	off	off	off
2 0x02	off	on	off	off	off	off	off
3 0x03	on	on	off	off	off	off	off
...
126 0x7E	off	on	on	on	on	on	on
127 0x7F	on	on	on	on	on	on	on



Node ID:

If DIP Switch 1 is set to “off” then the Node ID is set via DIP switches 4 – 10 as shown below. The DIP switch settings are binary starting with switch number 4 (=20) and ending with switch number 10 (=26).

The Node ID is equal to the binary setting.

Manufacturer Objects

Index	Sub-Index	Name	Default	Comment
2000		Raw Position Value		This is the averaged, non-scaled value from the encoder.
2001		Emergency Buffer Distance	0.1	Emergency Message is sent when the output of the sensing potentiometer is outside its calibrated range by more than .1% of the sensors full measurement range (Emergency Buffer). This allows for non-repeatability of sensor and customers application. This object allows user ability to change buffer size along with transmission of Emergency Message, Manufacturer specific bit in error register set, and error added to error list.

Device Profile Area

Index	Sub-Index	Name	Default	Comment
6000		Operating Parameters	0X0000	
6004		Position Value	0	Counts proportional to measuring cable extension. Nominal values are 0x006 with cable fully retracted and 0xFE5 with cable fully extended. Format of data in CAN message is little endian – least significant byte pair first. Therefore 0x008 would be shown as “08 00” and 0xFE5 would be shown as “E5 0F”
6400		Area State Register		SubNumber= 2 (indicates underflow or overflow per CiA406)
	0	Highest Subindex	0x01	
	1	Work Area State Channel 1	0	
6401		Work Area Low Limit		The averaged, non-scaled (raw) encoder data below which the encoder is out of range.
	0	Highest Subindex	0x01	
	1	Work Area Low Limit Channel1	0x024	
6402		Work Area High Limit		The averaged, non-scaled (raw) encoder data above which the encoder is out of range.
	0	Highest Subindex	0x01	
	1	Work Area High Limit Channel 1	0xF4E	
6500		Operating Status	0x0000	
6501		Measuring Step	1	Position Measuring Step. Can be set by user to convert Position Value (Object 6004) to measurement units (inches, mm). Default is set to 1.

Communication Area Profile

Index	Sub-Index	Name	Default	Comment
1000		Device Type	0X00080196	Device Profile 406
1001		Error Register	0	Manufacturer Specific Error bit 7 is set when sensor is outside of calibrated range and cleared when back in range.
1003		Pre-Defined Error Field		SubNumber= 9 (lists last eight Emergency Messages)
	0	Number of Errors	0	
	1	Standard Error Field 1		
	2	Standard Error Field 2		
	3	Standard Error Field 3		
	4	Standard Error Field 4		
	5	Standard Error Field 5		
	6	Standard Error Field 6		
	7	Standard Error Field 7		
	8	Standard Error Field 8		
1005		SYNC COB-ID	0x80	
1010		Store Parameters		SubNumber=2
1010	0	Highest Subindex	0x01	Only "Save All Parameters" feature supported
	1	Save All Parameters		Write "save" or "evsa" to save parameters to EEPROM. They are automatically loaded on power up/reset. Saves the value of all R/W object dictionary entries.
1014		Emergency COB-ID	\$NodeID + 0x80	COB-ID Emergency Message
1015		Emergency Inhibit Time	0	Multiple of 100us. Minimum time between transmissions of emergency messages.
1017		Producer Heartbeat Time	0	Multiples of 1ms. Time between transmission of heartbeat messages. 0 = disabled
1018		Identity Object		
	0	Number of Entries	4	
	1	Vendor Id	0x2E0	
	2	Product Code	0x10D	Celesco Reference # 604269
	3	Revision Number	0x1	
	4	Serial Number	0xFFFFFFFF	
1800		Tx PDO Comm. Parameter		PDO1
	0	Number of Entries	5	
	1	COB-ID	\$NodeID + 0x108	COB-ID used by PDO1
	2	Transmission Type	254	PDO1 Tx Type: 0 = on Sync Message. 254 = Asynchronous Tx

Communication Area Profile (cont.)

3	Inhibit Time	0	Multiple of 100us. Minimum time between transmissions of the PDO
5	Event Timer	0x32	If non-zero then transmits the PDO periodically. This value is a multiple of 1ms.
1801	Tx PDO Comm. Parameter		PDO2
0	Number of Entries	5	
1	COB-ID	\$NodeID + 0x280	COB-ID used by PDO2
2	Transmission Type	0	PDO2 Tx Type: 0 = on Sync Message. 254 = Asynchronous Tx
3	Inhibit Time	0	Multiple of 100us. Minimum time between transmissions of the PDO
5	Event Timer	0	If non-zero then transmits the PDO periodically. This value is a multiple of 1ms.
1A00	Tx PDO Mapping Parameter		Subnumber = 2
0	Number of Entries	1	
1	PDO Mapping Entry	0x60040020	Mapping Parameter
1A01	Tx PDO Mapping Parameter		Subnumber = 2
0	Number of Entries	1	
1	PDO Mapping Entry	0x60040020	Mapping Parameter

NORTH AMERICA

Measurement Specialties, Inc.,
a TE Connectivity company
20630 Plummer Street
Chatsworth, CA 91311
Tel +1 800 423 5483
Tel +1 818 701 2750
Fax +1 818 701 2799
Customercare.chtw@te.com

TE.com/sensorsolutions

Measurement Specialties, Inc., a TE Connectivity company.

Measurement Specialties, TE Connectivity, TE Connectivity (logo) and EVERY CONNECTION COUNTS are trademarks. All other logos, products and/or company names referred to herein might be trademarks of their respective owners.

The information given herein, including drawings, illustrations and schematics which are intended for illustration purposes only, is believed to be reliable. However, TE Connectivity makes no warranties as to its accuracy or completeness and disclaims any liability in connection with its use. TE Connectivity's obligations shall only be as set forth in TE Connectivity's Standard Terms and Conditions of Sale for this product and in no case will TE Connectivity be liable for any incidental, indirect or consequential damages arising out of the sale, resale, use or misuse of the product. Users of TE Connectivity products should make their own evaluation to determine the suitability of each such product for the specific application.

© 2015 TE Connectivity Ltd. family of companies All Rights Reserved.

SKH 12/01/2015