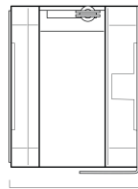


6.4" [164 mm]



4.3" [109 mm]

## SK6

### Cable Actuated Encoder Reel

**Converts Rotary Encoder to Linear Position Sensor**  
**Use with Popular Square Flange & Servo Mount Style**  
**User Adjustable Measuring Cable Orientation**

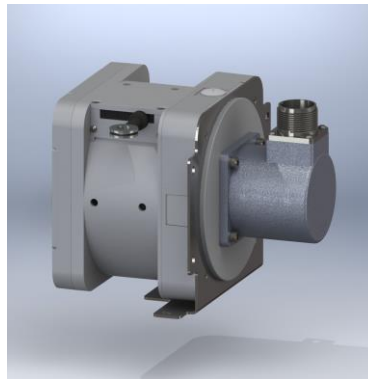
**IN STOCK for Quick Delivery!**

#### Specifications

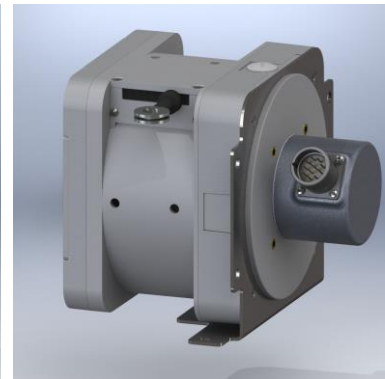
<b>Stroke Range</b>	400 inches (10.2 m)
<b>Rotary to Linear Conversion Ratio</b>	1 turn = 15.020 inches
<b>Accuracy</b>	.04% FS.
<b>Measuring Cable</b>	.031-inch dia. bare stainless steel
<b>Maximum Cable Velocity</b>	60 inches per second
<b>Maximum Cable Acceleration</b>	5 g
<b>Measuring Cable Tension</b>	23 oz. (6.4 N) ±40%
<b>Operating Temperature</b>	-40° to 185° F (-40° to 85° C)

The SK6 easily converts just about any rotary encoder into the perfect off-the-shelf 400-inch linear position sensor for just about any application ranging from factory automation equipment to hydraulic lift tables and anything else in between.

This model offers the ultimate ease-of-use, compact design and user flexibility. Designed for popular 2½ inch square flange and 58mm diameter synchro-mount flange encoder styles, the SK6 comes with everything you need to attach your own encoder. Also included is a stainless steel mounting bracket which lets the user easily change measuring cable orientation to one of the 4 different directions.

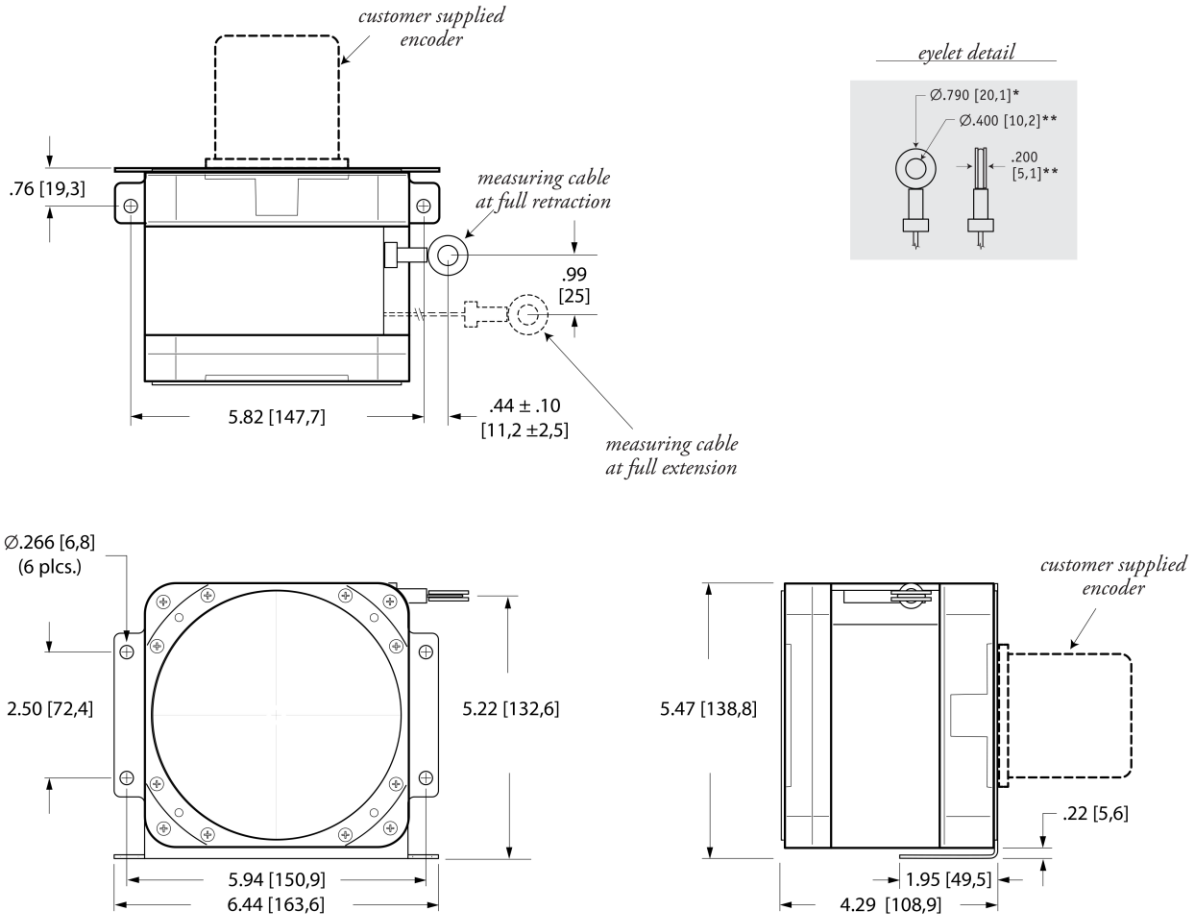


**2.5-inch Square Flange Style**



**Ø58 mm Synchro-Mount Style**

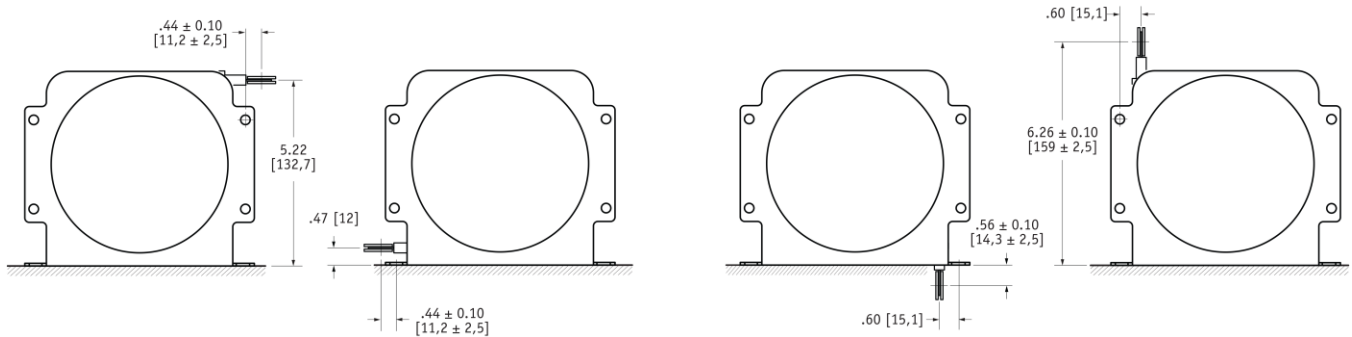
Outline Drawing



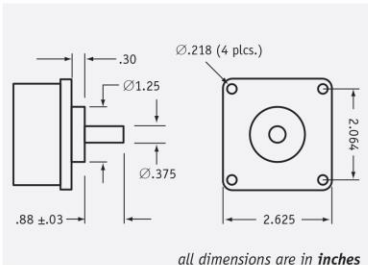
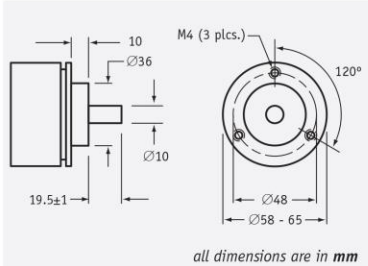
DIMENSIONS ARE IN INCHES [MM]  
tolerances are 0.04 IN. [1,0 MM] unless otherwise noted.

\* tolerance =  $+0.005 -0.001 [+0,1 -0,0]$   
\*\* tolerance =  $+0.005 -0.005 [+0,1 -0,1]$

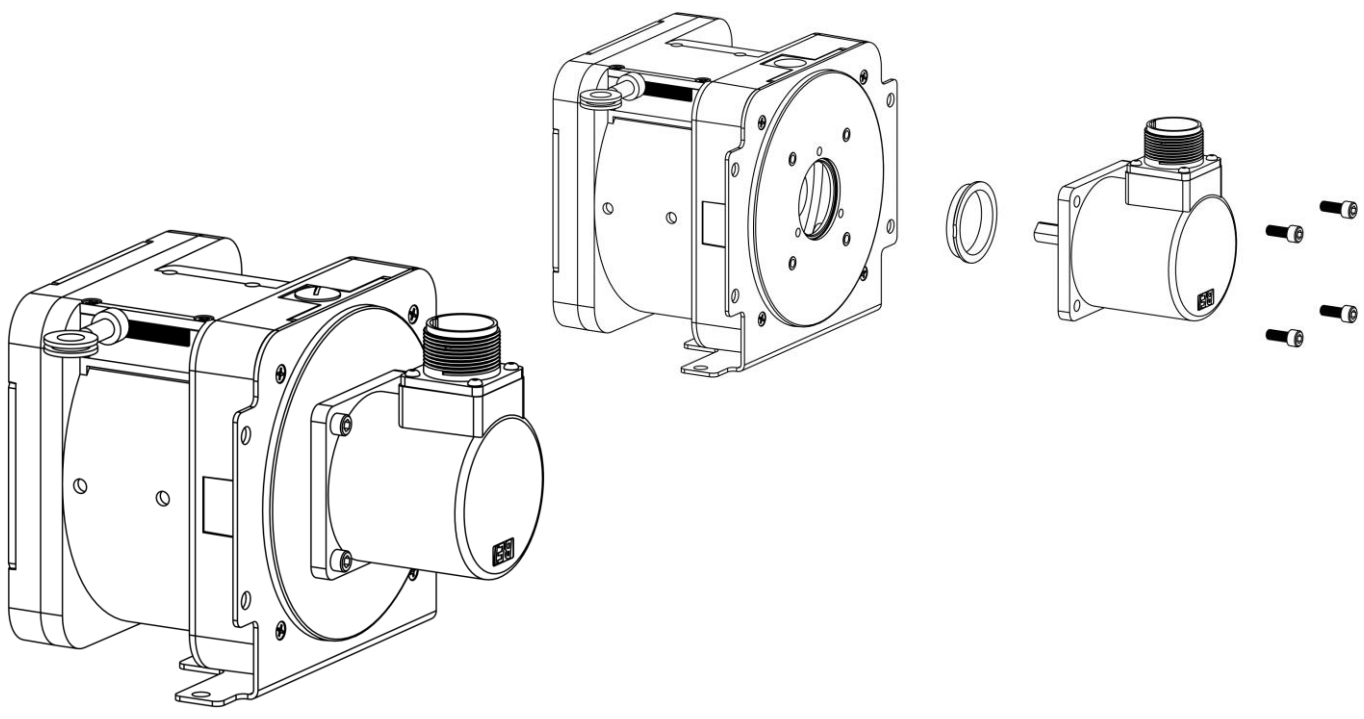
Mounting Options



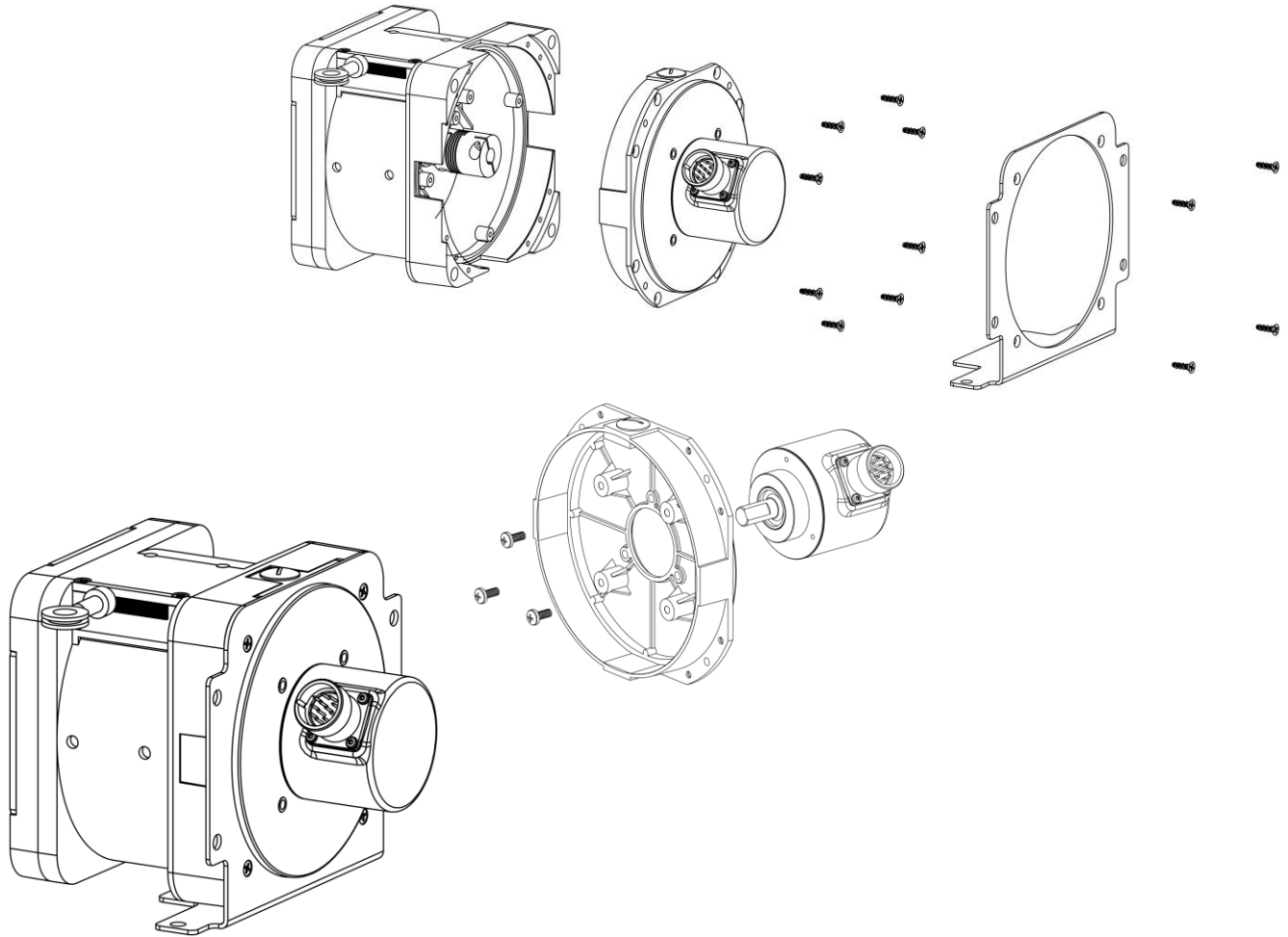
Ordering Information

Order Number	Encoder Mounting Style	stroke range	
<b>SK6-400-F01</b>	 <p><i>all dimensions are in inches</i></p>	<p><b>F01</b> 2½-inch Sq. Flange with 3/8-inch shaft</p>	<p>400 inches (10,2 m)</p>
<b>SK6-400-S02</b>	 <p><i>all dimensions are in mm</i></p>	<p><b>S02</b> Synchro-Mount (Face Mount) with 10mm shaft / M4 screws</p>	<p>400 inches (10,2 m)</p>

2.5-inch Square Flange Encoder Installation



## Synchro-Mount Encoder Installation



### NORTH AMERICA

Measurement Specialties, Inc.,  
a TE Connectivity company  
20630 Plummer Street  
Chatsworth, CA 91311  
Tel +1 800 423 5483  
Tel +1 818 701 2750  
Fax +1 818 701 2799  
info@celesco.com

### [TE.com/sensorsolutions](http://TE.com/sensorsolutions)

Measurement Specialties, Inc., a TE Connectivity company.

Measurement Specialties, TE Connectivity, TE Connectivity (logo) and EVERY CONNECTION COUNTS are trademarks. All other logos, products and/or company names referred to herein might be trademarks of their respective owners.

The information given herein, including drawings, illustrations and schematics which are intended for illustration purposes only, is believed to be reliable. However, TE Connectivity makes no warranties as to its accuracy or completeness and disclaims any liability in connection with its use. TE Connectivity's obligations shall only be as set forth in TE Connectivity's Standard Terms and Conditions of Sale for this product and in no case will TE Connectivity be liable for any incidental, indirect or consequential damages arising out of the sale, resale, use or misuse of the product. Users of TE Connectivity products should make their own evaluation to determine the suitability of each such product for the specific application.

© 2015 TE Connectivity Ltd. family of companies All Rights Reserved.

SK6 12/01/2015